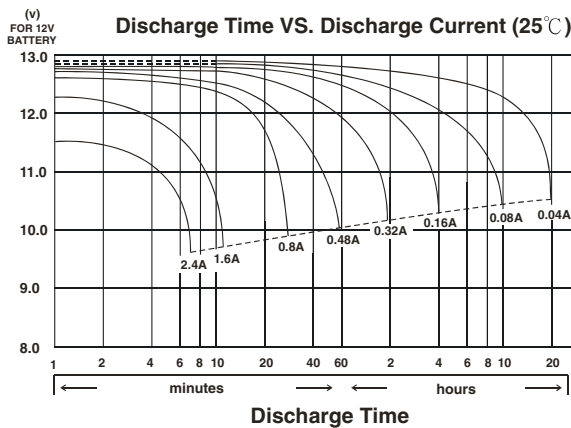
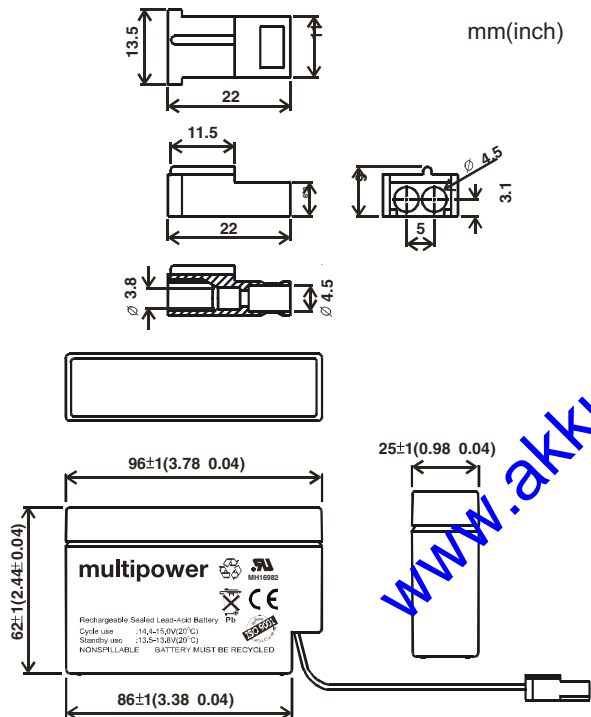


RECHARGEABLE SEALED LEAD ACID BATTERY

SPECIFICATION



MP0,8-12AMP

Nominal Voltage (V) 12V

Nominal Capacity
 20hour rate (0.04A to 10.50V) 0.8Ah
 10hour rate (0.08A to 10.50V) 0.8Ah
 5hour rate (0.136A to 10.20V) 0.68Ah
 1C (0.8A to 9.60V) 0.36Ah
 3C (2.4A to 9.60V) 0.288Ah

Weight 0.37kg(0.82lbs.)

Internal Resistance (at 1KHz) 125 mΩ

Maximum Discharge Current for 30 seconds : 16A

Maximum Discharge Current for 5 seconds : 32A

Operating Temperature Range

Charge 0°C (32°F) to 40°C (104°F)
 Discharge -15°C (5°F) to 50°C (122°F)
 Storage -15°C (5°F) to 40°C (104°F)

Charge Retention (shelf life) at 20°C (68°F)

1 month 92%
 3 month 90%
 6 month 80%

Charging Methods at 25°C (77°F)

Cycle use:
 Charging Voltage 14.4 to 15.0V
 Maximum Charging Current: 0.24A
Standby use:
 Float Charging Voltage 13.50 to 13.80V

Life expectancy :

Cycle Use:
 100% depth of discharge 200 cycles
 80% depth of discharge 225 cycles
 50% depth of discharge 500 cycles

Standby Use: 3-5 years

Case Material ABS
 (Option: 94-HB & 94V-0 flame retardant case)

Terminal WIRE