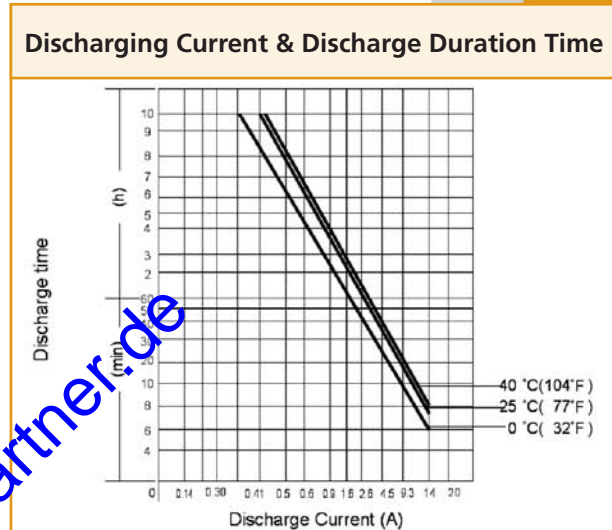
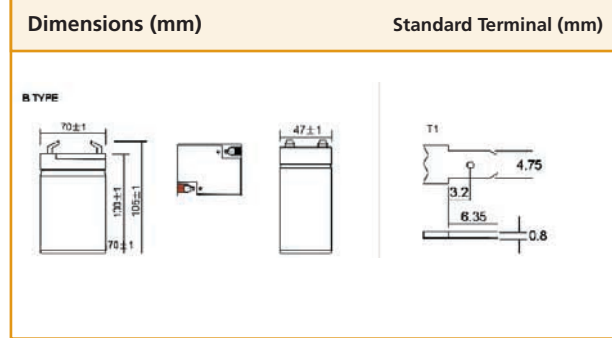


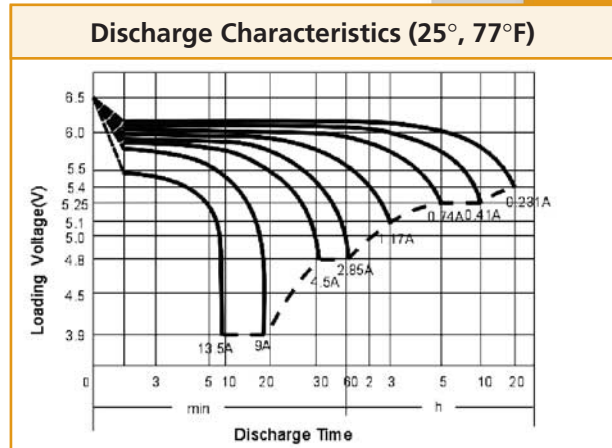


CT 5-6



Physical Specification		
Nominal Voltage		6V
Nominal Capacity (20HR)		4.5AH
Dimension	Length	70±1mm (2.76 inches)
	Width	47±1mm (1.85 inches)
	Container Height	100±1mm (3.94 inches)
	Total Height (with Terminal)	106±1mm (4.17 inches)
Weight		Approx. 0.81kg (1.79lbs)
Standard Terminal		T1

Electrical Specification					
Rated Capacity	20 hour rate (231mA)	4.6AH	Constant-Voltage Charge	Cycle	Initial Charging Current less than 1.35A. Voltage 7.20V-7.50V at 25°C (77°F) Temp. Coefficient -15mV/C
	10 hour rate (410mA)	4.1AH			
	5 hour rate (740mA)	3.7AH			
	1 hour rate (2.85 A)	2.85AH			
	15minute rate (9.02 A)	2.255AH			
Capacity affected by Temperature	40°C (104°F)	103%	Standby	No limit on Initial Charging Current Voltage 6.75V-6.90V at 25°C(77°F) Temp. Coefficient -10mV/C	
	25°C (77°F)	100%			
	0°C (32°F)	86%			



Constant Current (Amp) and Constant Power (Watt) Discharge Table (25°, 77°F)												
Time(minute) Final voltage/Cell	5	10	15	20	30	45	60	120	180	300	600	1200
Amp/Watt/Cell	1.3	1.3	1.3	1.3	1.6	1.6	1.67	1.7	1.75	1.75	1.75	1.8
A	1840	13.11	9.02	7.36	5.29	3.68	2.85	1.61	1.17	0.74	0.41	0.231
W	32.94	24.66	17.16	14.40	10.40	7.31	5.66	3.20	2.33	1.56	0.82	0.46