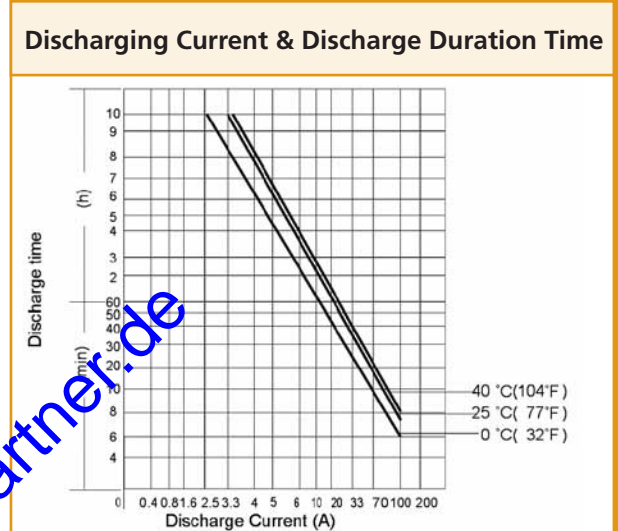
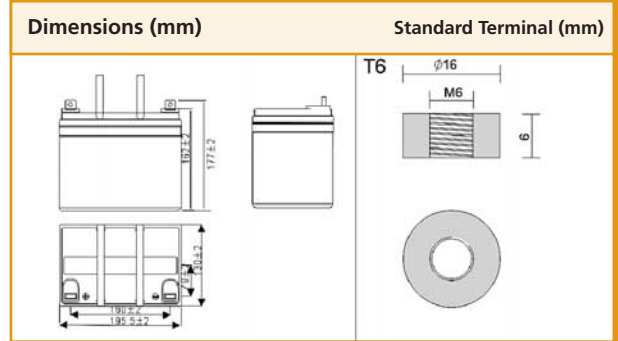


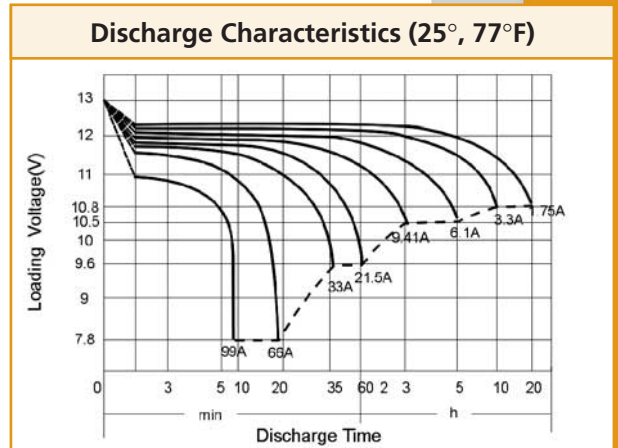


CT 33-12



| Physical Specification | | |
|-------------------------|------------------------------|-------------------------|
| Nominal Voltage | 12V | |
| Nominal Capacity (20HR) | 33AH | |
| Dimension | Length | 195 ± 2mm (7.68 inches) |
| | Width | 130 ± 2mm (5.12 inches) |
| | Container Height | 155 ± 2mm (6.10 inches) |
| | Total Height (with Terminal) | 180 ± 2mm (7.09 inches) |
| Weight | Approx 11.2kg (24.7 lbs) | |
| Standard Terminal | T1 | |

| Electrical Specification | | | |
|----------------------------------|-----------------------|---------|--|
| Rated Capacity | 20 hour rate (1.75 A) | 35 AH | Initial Charging Current less than 9.9A. Voltage 14.4V~15.0V at 25°C (77°F) Temp. Coefficient -30mV/°C |
| | 10 hour rate (3.3 A) | 33 AH | |
| | 5 hour rate (6.1 A) | 30.5AH | |
| | 1 hour rate (21.45A) | 21.45AH | |
| Capacity affected by Temperature | 15minute rate (72A) | 18 AH | No limit on Initial Charging Current Voltage 13.5V~13.8V at 25°C(77°F) Temp. Coefficient -20mV/°C |
| | 40°C (104°F) | 103% | |
| | 25°C (77°F) | 100% | |
| | 0°C (32°F) | 86% | |



| Constant Current (Amp) and Constant Power (Watt) Discharge Table (25°, 77°F) | | | | | | | | | | | | |
|--|--------|--------|-------|-------|-------|-------|-------|-------|-------|-------|------|------|
| Time(minute) Final voltage | 5 | 10 | 15 | 20 | 30 | 45 | 60 | 120 | 180 | 300 | 600 | 1200 |
| Amp/Watt/Cell | 1.3 | 1.3 | 1.3 | 1.3 | 1.6 | 1.6 | 1.67 | 1.7 | 1.75 | 1.75 | 1.75 | 1.8 |
| A | 161.70 | 99.00 | 72.00 | 56.76 | 41.25 | 29.70 | 21.45 | 12.87 | 9.41 | 6.10 | 3.30 | 1.75 |
| W | 273.90 | 188.43 | 140 | 11.54 | 81.51 | 59.07 | 42.57 | 25.74 | 18.48 | 12.21 | 6.60 | 3.53 |