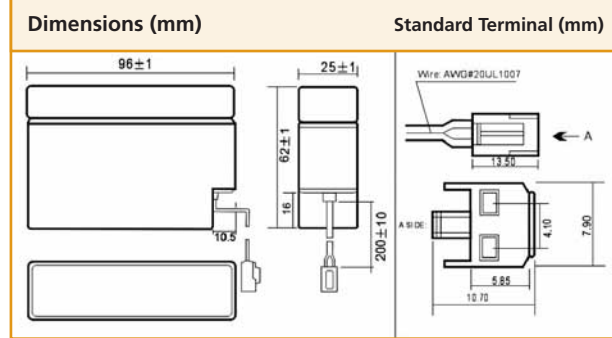
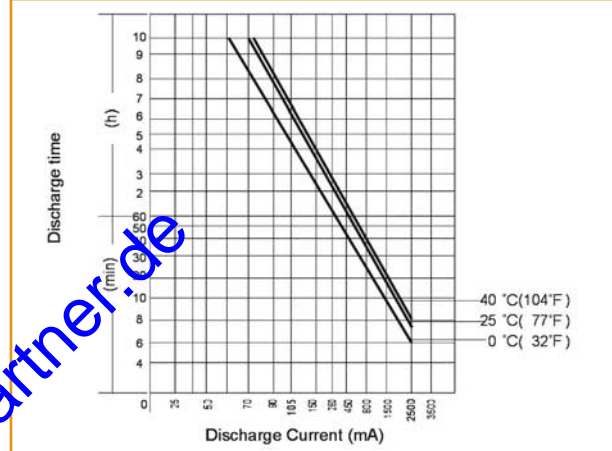




CT 0.8-12



Discharging Current & Discharge Duration Time



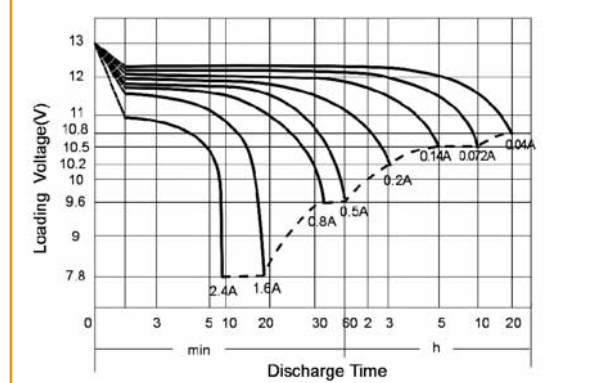
Physical Specification

Nominal Voltage		12V
Nominal Capacity (20HR)		0.8AH
Dimension	Length	96 ± 1mm (3.78 inches)
	Width	25 ± 1mm (0.98 inches)
	Container Height	62 ± 1mm (2.44 inches)
	Total Height (with Cover)	62 ± 1mm (2.44 inches)
Weight		Approx 0.34kg (0.73lb)
Standard Terminal		

Electrical Specification

Rated Capacity	20 hour rate (40 mA)	0.8AH	Constant-Voltage	Cycle	Initial Charging Current less than 0.24A Voltage 14.4V~ 15.0V at 25°C (77°F) Temp. Coefficient -30mV/°C
	10 hour rate (72 mA)	0.72AH			
	5 hour rate (0.14A)	0.70AH			
	1 hour rate (0.5A)	0.5AH			
	15 minute rate (1.57A)	0.39AH			
Capacity affected by Temperature	40°C (104°F)	103%	Charge	Standby	No limit on Initial Charging Current Voltage 13.5V~13.8V at 25°C(77°F) Temp. Coefficient - 20mV/°C
	25°C (77°F)	100%			
	0°C (32°F)	88%			

Discharge Characteristics (25°, 77°F)



Constant Current (Amp) and Constant Power (Watt) Discharge Table (25°, 77°F)

Time(minute) Final voltage/Cell	5	10	15	20	30	45	60	120	180	300	600	1200
Amp/Watt/Cell	1.3	1.3	1.3	1.3	1.6	1.6	1.67	1.7	1.75	1.75	1.75	1.8
A	3.20	2.28	1.57	1.28	0.92	0.64	0.50	0.28	0.20	0.14	0.072	0.04
W	5.73	4.29	2.98	2.50	1.81	1.27	0.98	0.56	0.41	0.27	0.144	0.08