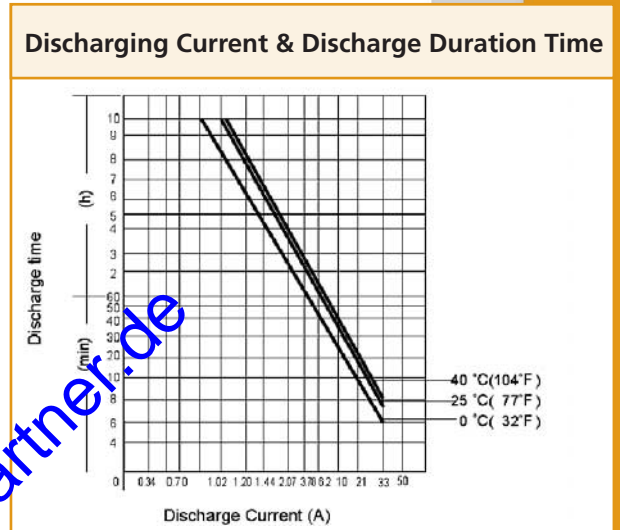
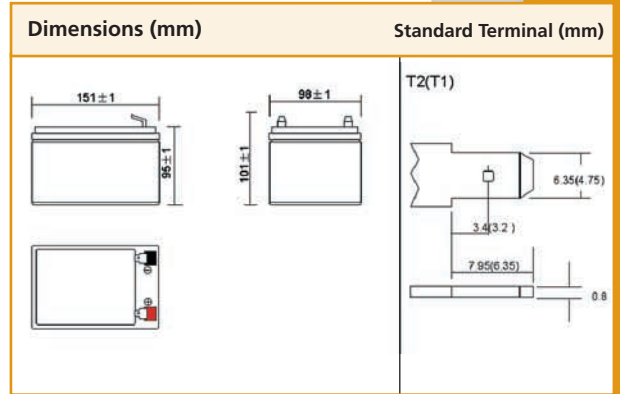


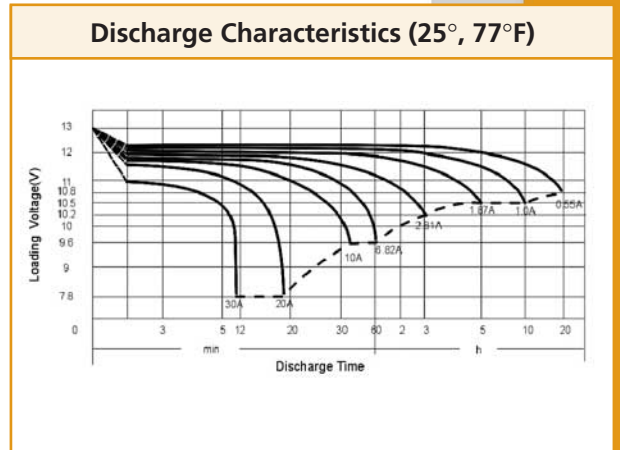


# CT 12-12



Physical Specification		
Nominal Voltage	12V	
Nominal Capacity (20HR)	12 AH	
Dimension	Length	151 ± 1mm (5.95 inches)
	Width	98 ± 1mm (3.86 inches)
	Container Height	95 ± 1mm (3.74 inches)
	Total Height (with Terminal)	101 ± 1mm (3.98 inches)
Weight	Approx 3.85kg (8.49lb)	
Standard Terminal	T2 or T1 (standard)	

Electrical Specification					
Rated Capacity	20 hour rate (0.55 A)	12AH	Constant Voltage	Cycle	Initial Charging Current less than 3.0A. Voltage 14.4V~ 15.0V at 25°C (77°F) Temp. Coefficient -30mV/C
	10 hour rate (1.0 A)	10AH			
	5 hour rate (1.87 A)	9.35AH			
	1 hour rate (6.82 A)	6.82AH			
Capacity affected by Temperature	15minute rate (21.56 A)	4.3AH	Charge	Standby	No limit on Initial Charging Current Voltage 13.5V-13.8V at 25°C(77°F) Temp. Coefficient -20mV/C
	40°C (104°F)	103%			
	25°C (77°F)	100%			
0°C (32°F)	86%				



Constant Current (Amp) and Constant Power (Watt) Discharge Table (25°, 77°F)												
Time(minute) Final voltage/Cell	5	10	15	20	30	45	60	120	180	300	600	1200
Amp/Watt/Cell	1.3	1.3	1.3	1.3	1.6	1.6	1.67	1.7	1.75	1.75	1.75	1.8
A	44.00	31.35	21.56	17.60	12.65	8.80	6.82	3.85	2.81	1.87	1.00	0.55
W	78.76	58.96	41.03	34.43	24.86	17.49	13.53	7.66	5.58	3.74	2.00	1.11